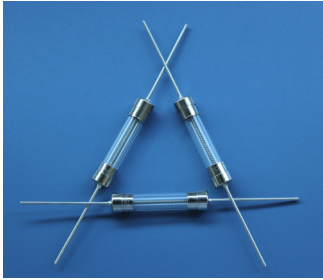
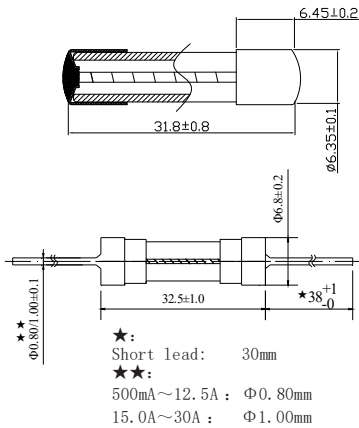


612 Miniature cartridge Fuse



Dimensions (unit: mm)



Main Characteristics

Miniature cartridge fuse; Time-Lag (T)

Standard

UL248-14 (IEC 60127-2)

Materials

Tube: Glass Tube
 End Caps: Nickel plated brass
 Axial Leads: Nickel plated caps
 Tin plated copper wires

Operating Temperature

-55°C to +125°C

Storage Conditions

+10°C to +60°C
 Relative humidity: ≤75% yearly average
 Without dew, maximum 30 days at 95%

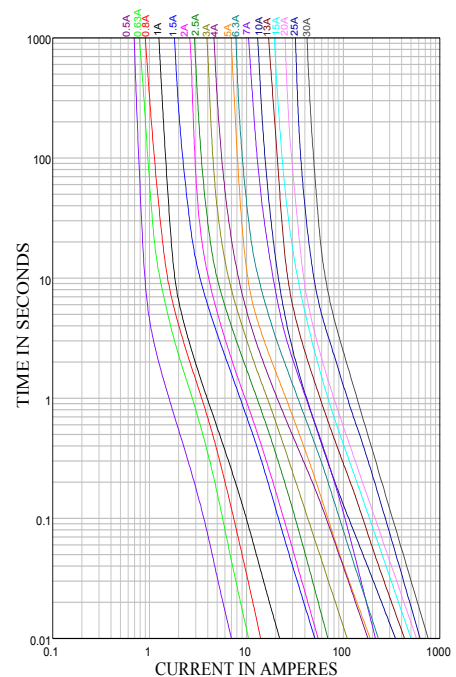
Vibration Resistance

120 cycles in 1 direction at 1 min. each
 10-55Hz, 3 directions(X, Y, Z) in total
 According to MIL-STD-202 Method 201A

Soldering Parameters

260°C. ≤5 sec (Wave Soldering)
 350°C. ≤3 sec (Hand Soldering)
 Soldering Peak:
 260°C. 10 sec. (IEC 60068-20)

Average Time Current(I-T Curve)



Time vs Current Characteristics: UL248-14 GB/T9364.7

Rated current	100%	135%	200%	275%	400%	1000%
500mA ~30A(UL)	>4h	<1h	5s~60s	/	/	/
8A/10A/16A(GB)	>4h	/	<120s	600ms~10s	150ms~3s	20ms~300ms



Electrical Characteristics at 25°C

Amp	Rated Current	Rated Voltage	Nominal Melting I ² t(A ² sec)	Typical Cold Resistance (mΩ)	Breaking Capacity	Approvals			
						cULus	cURus	CQC	PSE
0500	500mA	125V AC 250V AC	0.49	1000	10KA@125VAC 35A@250VAC	•	○	○	○
0630	630mA		1.10	840		•	○	○	○
0800	800mA		1.96	517		•	○	○	○
1100	1.00A		4.84	353	10KA@125VAC 100A@250VAC	•	○	○	○
1125	1.25A		6.76	228		•	○	○	○
1150	1.50A		26.01	210		•	○	○	○
1200	2.00A		30.25	124.4		•	○	○	○
1250	2.50A		47.61	74		•	○	○	○
1300	3.00A		121	74.11		•	○	○	○
1315	3.15A		132	76.67		○	○	○	○
1400	4.00A		324	37	10KA@125VAC 200A@250VAC	•	○	○	○
1500	5.00A		361	29.82		•	○	○	○
1600	6.00A		462	19.7		•	○	○	○
1700	7.00A		462	21.06		•	○	○	○
1800	8.00A		676	8.70	400A@125VAC 200A@250VAC	•	○	•	○
2100	10.00A		1190	8.30		○	•	•	○
2120	12.00A		1640	6.84		○	•	○	○
2150	15.00A		2500	5.20		○	•	○	•
2160	16.00A		2601	4.66		○	•	•	○
2200	20.00A		3249	3.30	400A@125VAC 100A@250VAC	○	•	○	•
2250	25.00A		7225	2.50		○	•	○	○
2300	30.00A		8081	2.14		○	•	○	○

- Notes:** 1. Permissible continuous operating current is ≤100% at ambient temperature of 23°C (73.4°F)
 2. The current values used for calculating I²T should be within the standard range of 8ms ~ 10ms.

Ordering Information

Series	Amp Code	Supplementary Code	Qty
612			



Sales Contact
 sls01@betterfuse.com

Technical Support
 Kenny@betterfuse.com

National High-tech Enterprise
 SC 32C National Technical Committee Member of China
 Intertek ISO 9001 Certified Company
 Intertek ISO 14001 Certified Company
 Intertek QC 080000 Certified Company
 NQA IATF 16949 Certified Company

国家高新技术企业
 SC 32C 国内专家组成员单位
 ISO 9001 认证企业
 ISO 14001 认证企业
 QC 080000 认证企业
 IATF 16949 认证体系