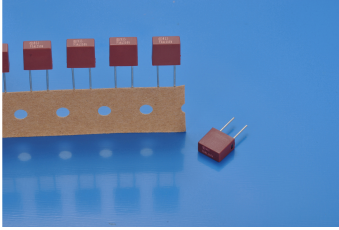
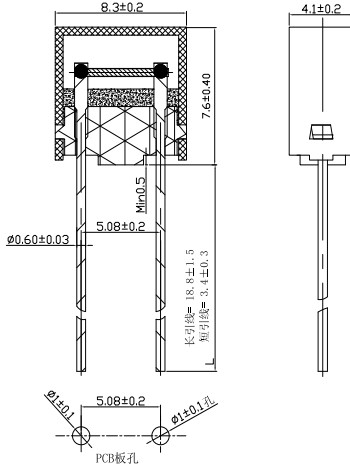


# 933 Box Subminiature Fuse



Dimensions (unit: mm)



Conventional products are braided products, and refer to EPS specification for details.

## Main Characteristics

Box subminiature fuse; fast-acting (F)

## Standard

UL248-14

## Materials

Fuse body: Thermoplastic

Lead: Tin plated copper

## Operating Temperature

-55°C to +125°C

## Storage Conditions

+10°C to +60°C

Relative humidity: ≤75% yearly average without dew, maximum 30 days at 95%

## Vibration Resistance

24 cycles at 15 min. each (60068-6)

10-60Hz at 0.75mm amplitude

60-2000Hz at 10g acceleration

## Soldering Parameters

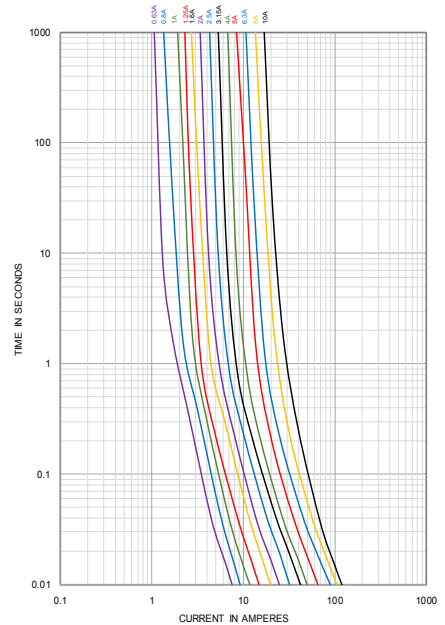
260°C. ≤5 sec (Wave Soldering)

350°C. ≤3 sec (Hand Soldering)

Soldering Peak:

260°C. 10 sec. (IEC 60068-20)

## Average Time Current (I-T Curves)



### Time vs Current Characteristics: UL248-14

Rated Current	150%	210%	275%	400%	1000%
630mA~10A	>1h	<30min	10ms~3s	3ms~300ms	≤20ms



### Electrical Characteristics at 25°C

Amp Code	Rated Current	Rated Voltage	Typical Cold Resistance (mΩ)	Nominal Melting I <sup>2</sup> t (A <sup>2</sup> sec)	Breaking Capacity	Approval
						cURus
1100	1.00A	250VDC 400VAC	63.0	1.44	100A@250VDC 100A@400VAC	•
1125	1.25A		45.0	2.25		•
1160	1.60A		35.0	4.00		•
1200	2.00A		33.5	6.25		•
1250	2.50A		25.0	10.24		•
1315	3.15A		19.4	17.6		•
1400	4.00A		14.37	25.0		•
1500	5.00A		11.5	42.3		•
1630	6.30A		7.40	81.0		•
1800	8.00A		5.75	110		•
2100	10.00A		4.20	144		•

- Notes:** (1) Permissible continuous operating current is ≤100% at ambient temperature of 23°C (73.4°F)  
 (2) The current values used for calculating I<sup>2</sup>T should be within the standard range of 8ms ~ 10ms.

## Ordering Information

Series	Amp code	Supplementary Code	Qty
933			



**Sales Contact**  
sls01@beterfuse.com

**Technical Support**  
Kenny@betterfuse.com

National High-tech Enterprise  
 SC 32C National Technical Committee Member of China  
 Intertek ISO 9001 Certified Company  
 Intertek ISO 14001 Certified Company  
 Intertek QC 080000 Certified Company  
 NQA IATF 16949 Certified Company

国家高新技术企业  
 SC 32C 国内专家组成员单位  
 ISO 9001 认证企业  
 ISO 14001 认证企业  
 QC 080000 认证企业  
 IATF 16949 认证体系