

Type: PQ power transformer  
 Package: common  
 Winding: bobbin, multi-winding  
 Magnet properties: Mn-Zn  
 Core shape: P+Q  
 Operating frequency: 1kHz – 500kHz  
 Installation: Vertical mounted  
 Output Power: 5-100 W  
 Working temperature: -40 °C - 125 °C  
 Storage temperature: -10 °C to +50 °C  
 Storage humidity: 30 to 70%

**Description:**  
 High-frequency, insulated wire-wound transformer

**Features:**

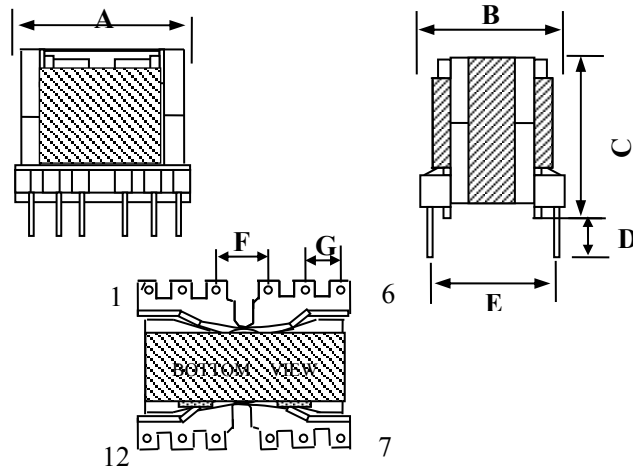
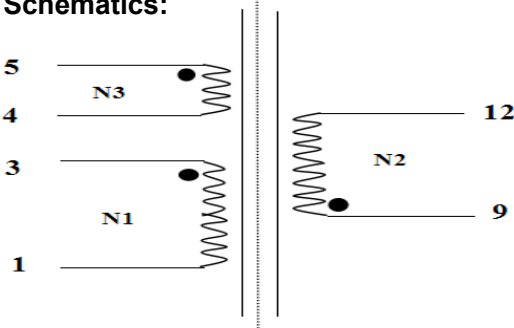
- Small size, low-cost transformer
- Powerful anti-interference shielding
- Low loss, high output power, wide frequency range, easy to exchange
- Low temperature effects, stable performance
- Laminated E-cores, clamped with bolts

**Electrical Specifications**

Model Number	Output Power (W)
PQ2620	5 – 20 W
PQ2625	25 – 40 W
PQ3220	40 – 60 W
PQ3535	60 – 100 W

**Mechanical Specifications (unit in mm)**

**Schematics:**



Model Number	PINs	A (max)	B (max)	C (min)	D	E	F	G
PQ2620	6+6PIN	28	30.5	21	4±0.3	25.4±0.3	7.5±0.3	3.8±0.3
PQ2625	6+6PIN	28	30.5	26	4±0.3	25.4±0.3	7.5±0.3	3.8±0.3
PQ3220	6+6PIN	34	35.5	21	4±0.3	30.5±0.3	7.6±0.3	5±0.3
PQ3535	6+6PIN	37	40.5	36	4±0.3	35.5±0.3	10±0.3	5±0.3

**Applicable Products:**

Switching power transformers, inverters, LED drivers, auxiliary transformers, computers, power supplies, UPS, monitors, TV, VCD, DVD and others... **Special custom designs available!**

**Ordering Information:**

Model Number	Rated Power	Packaging	Quantity

