

Type: ER power transformer
 Package: common
 Winding: bobbin, multi-winding
 Magnet properties: Mn-Zn
 Core shape: E+R
 Operating frequency: 1kHz – 500kHz
 Installation: Vertical mounted
 Output Power: 5-100 W
 Working temperature: -40 °C - 125 °C
 Storage temperature: -10 °C to +50 °C
 Storage humidity: 30 to 70%

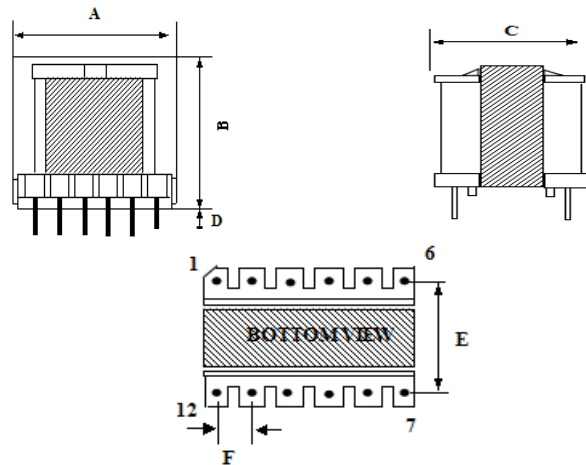
Description:
 High-frequency, insulated wire-wound transformer

- Features:**
- Small size, low-cost transformer
 - Powerful anti-interference shielding
 - Low loss, high output power, wide frequency range, easy to exchange
 - Low temperature effects, stable performance
 - Laminated E-cores, clamped with bolts

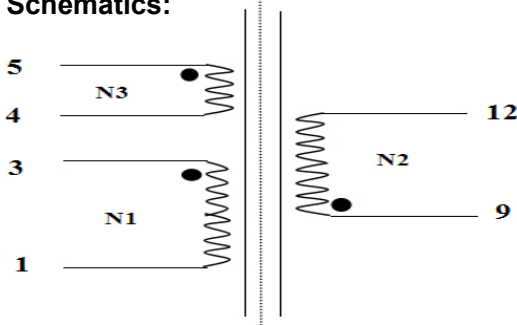
Electrical Specifications

Model Number	Output Power (W)
ER2510	5 – 12 W
ER2828	15 – 30 W
ER3545	30 – 60 W
ER4045	60 – 100 W

Mechanical Specifications (unit in mm)



Schematics:



Model Number	PINs	A (max)	B (max)	C (min)	D	E	F
ER2510	5+5PIN	27	12	19	4±0.3	14±0.3	5±0.3
ER2828	6+6PIN	30	32	25	4±0.3	17.5±0.3	5±0.3
ER3545	8+8PIN	37	47	32	4±0.3	25±0.3	5±0.3
ER4045	8+8PIN	42	47	32	4±0.3	25±0.3	5±0.3

Applicable Products:

Switching power transformers, inverters, LED drivers, auxiliary transformers, computers, power supplies, UPS, monitors, TV, VCD, DVD and others... **Special custom designs available!**

Ordering Information:

Model Number	Rated Power	Packaging	Quantity