

Type: EFD power transformer  
 Package: common  
 Winding: bobbin, multi-winding  
 Magnet properties: Mn-Zn  
 Core shape: E+F  
 Operating frequency: 1kHz – 500kHz  
 Installation: Vertical mounted  
 Output Power: 1-100 W  
 Working temperature: -40 °C - 125 °C  
 Storage temperature: -10 °C to +50 °C  
 Storage humidity: 30 to 70%

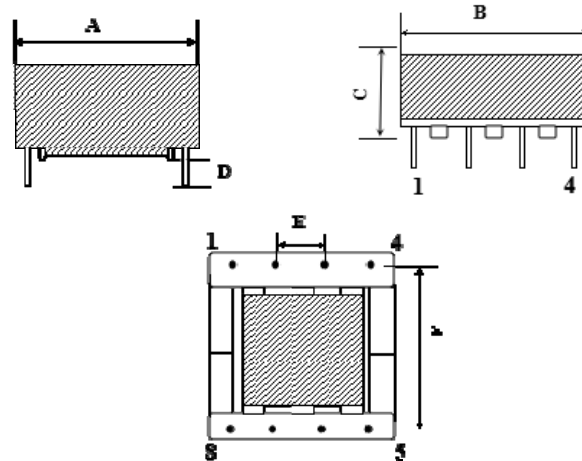
**Description:**  
**High-frequency, insulated wire-wound transformer**

- Features:**
- Small size, low-cost transformer
  - Powerful anti-interference shielding
  - Low loss, high output power, wide frequency range, easy to exchange
  - Low temperature effects, stable performance
  - Laminated E-cores, clamped with bolts

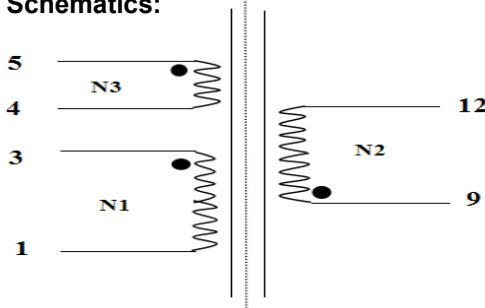
**Electrical Specifications**

Model Number	Output Power (W)
EFD15	1 – 6 W
EFD20	7 – 15 W
EFD25	16 – 30 W
EFD30	30 – 50 W

**Mechanical Specifications (unit in mm)**



**Schematics:**



Model Number	PINs	A (max)	B (max)	C (min)	D	E	F
EFD15	4+4PIN	17	17	9	4±0.3	3.75±0.3	13.75±0.3
EFD20	4+4PIN	22	22	12	4±0.3	5±0.3	20±0.3
EFD25	5+5PIN	27	27	16	4±0.3	5±0.3	22.5±0.3
EFD30	6+6PIN	32	32	17	4±0.3	5±0.3	27.5±0.3

**Applicable Products:**

Switching power transformers, inverters, LED drivers, auxiliary transformers, computers, power supplies, UPS, monitors, TV, VCD, DVD and others... **Special custom designs available!**

**Ordering Information:**

Model Number	Rated Power	Packaging	Quantity

