

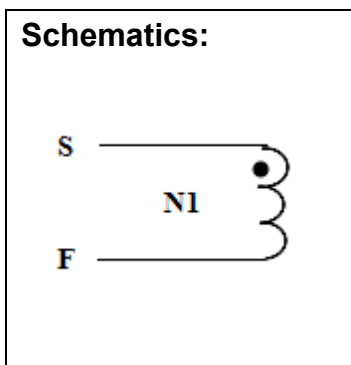


Description:
Wire-wound, high frequency inductor

- Features:**
- Small size, low-cost inductor
 - Cancels noise interference, input/ output filter
 - Low loss, high output power, wide frequency range, easy to exchange
 - Low temperature effects, stable performance
 - Laminated cores, clamped with bolts

Type: Toroid power filter inductor
 Winding: single-winding
 Magnet properties: Mn-Zn, Iron
 Core shape: Toroid
 Operating frequency: 1kHz – 500kHz
 Installation: Vertical mounted
 Output Power: 1-100 W
 Working temperature: -40 °C - 125 °C
 Storage temperature: -10 °C to +50 °C
 Storage humidity: 30 to 70%

Schematics:

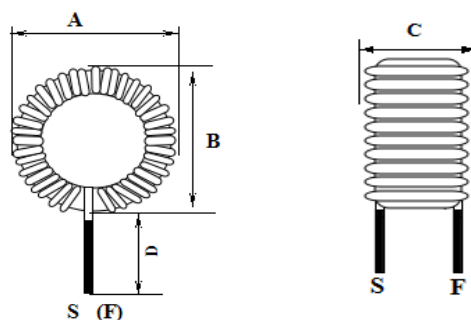


Electrical Specifications

Model Number	Inductance (min)	Inductance (max)	Rated Current (min)	Rated Current (max)
T10*6*5 Magnet ring	1 μH	50 mH	10 mA	1 A
T25*15*15 Magnet ring	1 μH	50 mH	10 mA	10 A
T38*22*15 Magnet ring	1 μH	50 mH	10 mA	15 A

Applicable Products:

Switching power transformers, inverters, LED drivers, auxiliary transformers, computers, power supplies, UPS, monitors, TV, VCD, DVD and others... **Special custom designs available!**



Mechanical Specifications (unit in mm)

Model Number	PINs	A (max)	B (max)	C (max)	D
T10*6*5 Magnet ring	2PIN	12	12	7	6±1
T25*15*15 Magnet ring	2PIN	28	28	18	6±1
T38*22*15 Magnet ring	2PIN	42	42	20	6±1

Ordering Information:

Model Number	Inductance value	Packaging	Quantity

