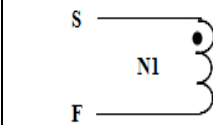


**Description:**  
Radial leaded, single layer choke coil inductor for limiting alternating current

- Features:**
- Small size, low-cost vertical mounted inductor
  - Low distribution capacity, high self-resonant frequency
  - Easy guiding pin structure, convenient to produce open circuit
  - Heat shrink tube protection available

Type: power filter inductor  
 Package: general inductance  
 Winding: single-layer, coil  
 Magnet properties: core  
 Core shape: H-Core  
 Operating frequency: 1kHz – 500kHz  
 Installation: Vertical mounted

**Schematics:**



**Electrical Specifications**

Model Number	Inductance (min)	Inductance (max)	Rated Current (min)	Rated Current (max)
DR4*6	1 $\mu$ H	30,000 $\mu$ H	10 mA	0.5 A
DR6*8	1 $\mu$ H	50,000 $\mu$ H	10 mA	1 A
DR8*10	1 $\mu$ H	100,000 $\mu$ H	10 mA	2 A
DR10*12	1 $\mu$ H	150,000 $\mu$ H	10 mA	3 A

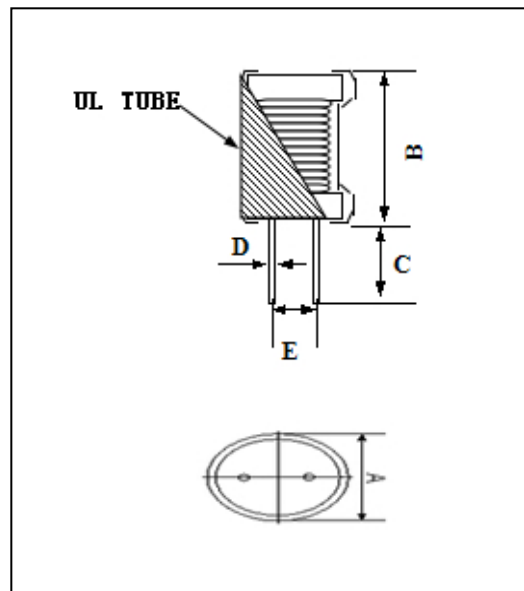
**Applicable Products:**

Computers, power supplies, inkjet printers, copiers, monitors, broadband modems, game consoles, TV, DVD players, camcorders, microwave ovens, lighting.

*Special custom designs available!*

**Mechanical Specifications (unit in mm)**

Model Number	A (max)	B (max)	C (min)	D	E
DR4*6	5	8	10	0.5	2
DR6*8	7	10	10	0.6	2.5
DR8*10	10	12.5	10	0.6	5
DR10*12	12	14.5	10	0.8	6



**Ordering Information**

Model Number	Inductance value	Packaging	Quantity