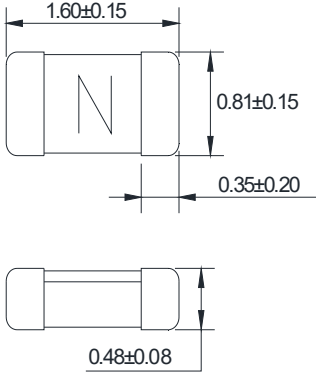


064 Chip Fuse



Dimensions (unit: mm)



Main Characteristics

Chip fuse; Fast-Acting(F)

Standard

UL248-14

Materials

Substrate: Ceramic

Termination: Silver over-plated with nickel and Tin

Operating Temperature

-55°C to +150°C

Storage Conditions

+10°C to +60°C

Relative humidity: ≤75% yearly average
Without dew, maximum 30 days at 95%

Vibration Resistance

24 cycles at 15 min. each (60068-6)
10-60Hz at 0.75mm amplitude
60-2000Hz at 10g acceleration

Soldering Parameters

260°C. ≤ 10 sec (Wave Soldering)

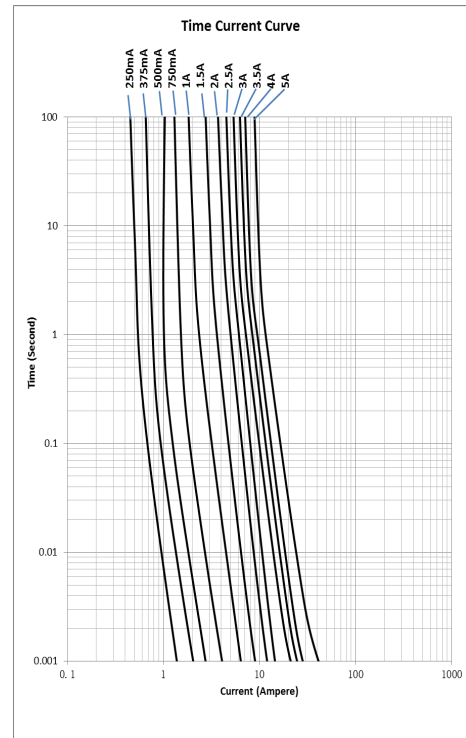
300°C. ≤ 2 sec (Hand Soldering)

Soldering Peak:

260°C. 10 sec.

280°C. 5 sec. (IEC 60068-20)

Average Time Current(I-T Curve)



Time vs Current Characteristics: UL248-14

Rated Current	100%	250%
250mA~5A	>4H	<5s



Electrical Characteristics at 25°C

Amp Code	Rated Current	Rated Voltage	Typical Voltage Drop(mV)	Breaking Capacity	Typical Melting I²T (A²s)	Typical Cold Resistance (mΩ)	Alpha Mark	Approvals	
								cURus	
0250	250mA	63VDC	890	50A@63VDC	0.0004	3200	D	●	
0375	375mA		585		0.0009	1650	E	●	
0500	500mA		580		0.001	1000	F	●	
0750	750mA		425		0.009	450	G	●	
1100	1.00A		333		0.01	249.5	H	●	
1150	1.50A		268		0.04	149	K	●	
1200	2.00A		32VDC		158	0.115	73.5	N	●
1250	2.50A		143		0.14	46.5	O	●	
1300	3.00A		128		0.28	34.5	P	●	
1350	3.50A		125		0.5	26.5	R	●	
1400	4.00A	118	0.6	20.5	S	●			
1500	5.00A	105	1.9	13.0	T	●			

- Note:** (1) DC interrupting rating (measured at rated voltage, time constant of less than 50 microseconds, battery source)
 (2) DC cold resistance are measured at <10% of rated current in ambient temperature of 25°C
 (3) Typical pre-arcing I²t are measured at 10In current

Ordering Information

Series	Amp Code	Supplementary Code	Qty
064			



Sales Contact
sls01@betterfuse.com

Technical Support
Kenny@betterfuse.com

National High-tech Enterprise
SC 32C National Technical Committee Member of China
Intertek ISO 9001 Certified Company
Intertek ISO 14001 Certified Company
Intertek QC 080000 Certified Company
NQA IATF 16949 Certified Company

国家高新技术企业
SC 32C 国内专家组成员单位
ISO 9001 认证企业
ISO 14001 认证企业
QC 080000 认证企业
IATF 16949 认证体系